

Approval Marks

In Preparation

Electronic

Parameter	Min	Nom	Max	Unit
Dimmer	1	1-10	10	V
Sink Current	0	0.25~0.5	25	mA
Dimming Range	1	-	100	%
Ambient Temp.	-20	-	+50	°C
Suitable Ballast	HEP Dimmable Ballast			

Load Type

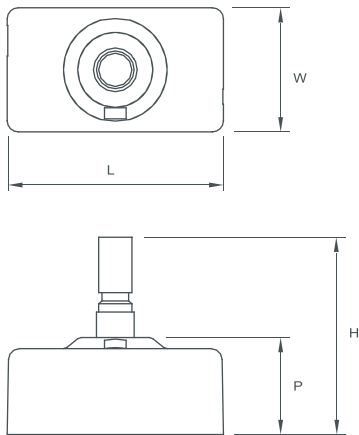
1-10V Ballast or Others Equip.

Application Space

Indoor Use
(Low Humidity, No Condensation)

Physical

Parameter



L : 39 mm P : 17.5 mm
W : 22.4 mm
H : 35.6 mm

Slot On One Side Allowing Alignment : M \pm 3 mm
Tolerance : $\geq 0 \sim 100 \geq \pm 0.5$ mm
 $100 \sim \geq \pm 1$ mm

Housing Material : Polycarbonate
Soldering : Lead-Free, Comply With RoHS
Label : Surface Print

Wiring Diagram

